



## MOTOR DRIVEN METERING PUMPS

# VAMD (Vario D) SERIES

Pressure 12-3.5 bar, Capacity range 16.6-120l/h, Degree of protection : IP55,  
Permissible ambient temperature : -10°C - +40°C, Power : Single phase :  
220V,50Hz/60Hz, Insulation class : F.

### Benefit :

- Excellent suction capacity, gentle metering stroke and consistently precise metering
- Excellent process quality: Metering reproducibility is better than  $\pm 2\%$  within the stroke length adjustment range of 30 to 100o/o
- Flexible adjustment of the lump capacity by means of the stroke length in 1% increments (The best adjustment range is 30%-100%)



Basic Version

Control Version

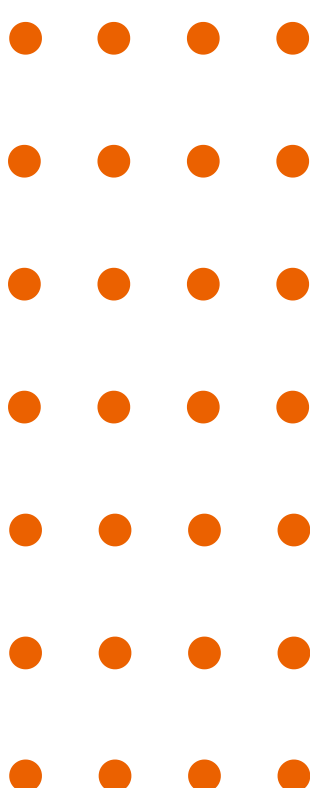
ProMinent®

### Technical Data & Materials for Vario D Series

Type	Delivery rate at max. back pressure			Number of Strokes strokes/min	Suction lift mWs	Connection Size G-DN	Shipping weight approx. KG
	Bar	l/h	ml/stroke				
12017	10/12*	16.6	3.6	77	7	3/4 - 10	6.6/8.6*
12026	10/12*	26.2	3.6	122	7	3/4 - 10	6.6/8.6*
12042	14/12*	42.0	3.6	195	7	3/4 - 10	6.6/8.6*
10025	10	24.8	5.4	77	4	3/4 - 10	6.6/8.6*
09039	8.5	39.4	5.4	122	4	3/4 - 10	6.6/8.6*
07063	6.5	63.0	5.4	195	4	3/4 - 10	6.6/8.6*
06047	5.5	47.4	10.2	77	3	1-15	7.5/13.5*
05075	4.5	75.0	10.2	122	3	1-15	7.5/13.5*
04120	3.5(2.3)	120.0	10.2	195	3	1-15	7.5/13"5*

### Materials in Contact with The Medium

Dosing head	Valves	Balls	Seals
PVDF	PVDF	Ceramic	PTFE





# MOTOR DRIVEN METERING PUMPS

## VAMD (Vario D) SERIES

ProMinent®

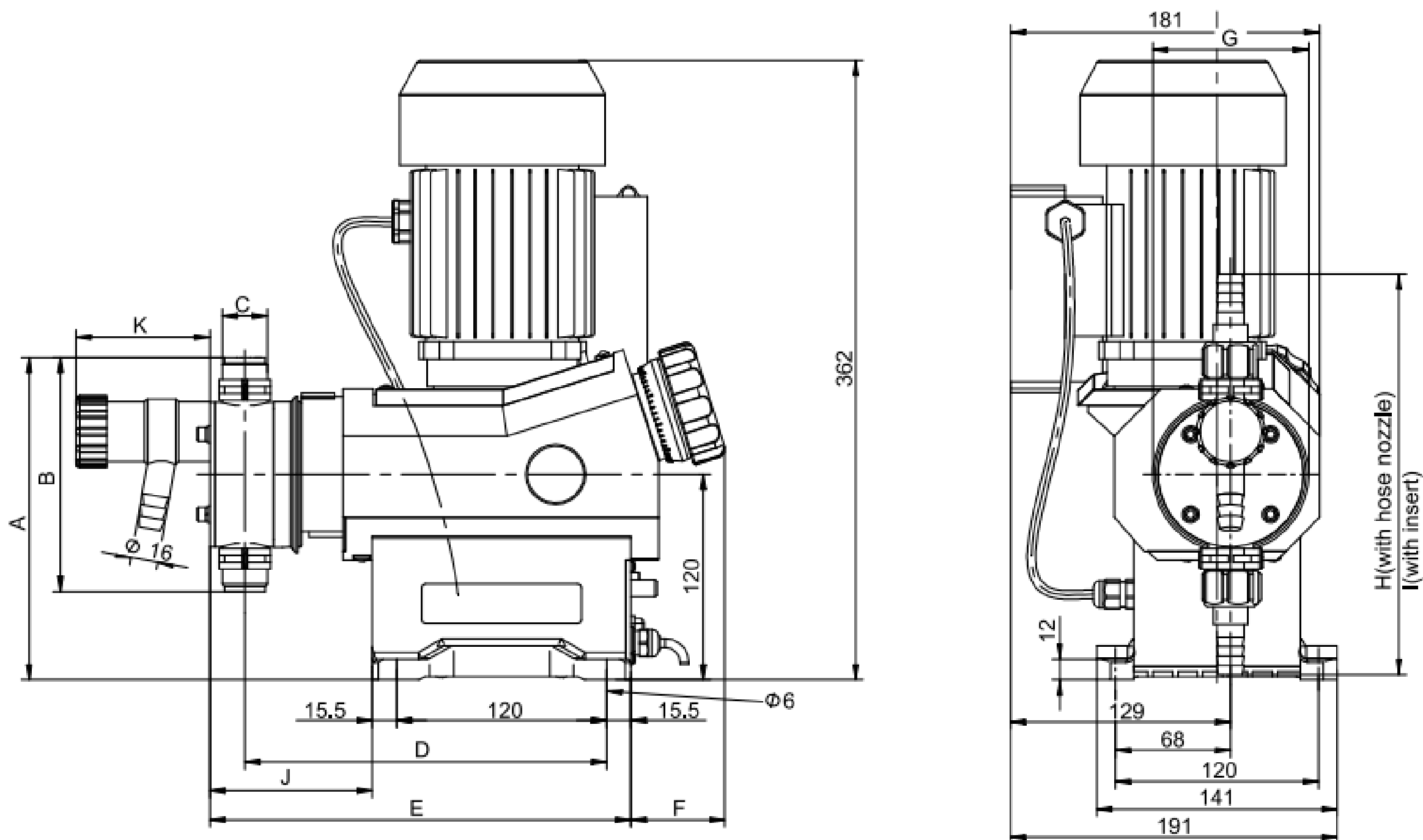
### Motor Data

Type	Power Supply	Output	Current Consumption	Speed
Single-phase a.c. motor	220V 50 Hz	0.12 KW	0.95 A (220V/50 Hz)	2.830 rpm (50 Hz)
Standard 230/400 V 3Ph motor	230/400V 50 Hz	0.09 KW	0.54A(230 V)/0.31A (400 V); 50Hz	2800 rpm (50 Hz)

Insulation Class : F

Degree of Protection : IP55

### Dimensional Size



Above shown with optional integrated PRV.

Delivery unit	Connection	A	B	C	D	E	F	G	H	I	J	K
042 PVT	DN 10	191	142	G3/4A-DN10	208	246 (251*)	65	85	228	180	95 (100*)	74*
042 SST	DN 10	190	120	G3/4A-DN10	208	241	65	85	226	180	90	-
063 PVT	DN 10	191	142	G3/4A-DN10	208	246 (251*)	65	85	228	180	95 (100*)	74*
063 SST	DN 10	190	140	G3/4A-DN10	208	241	65	85	226	180	90	-
120 PVT	DN 15	218	195	G1A-DN15	210	256 (263*)	65	135	328	235	105 (112*)	69*
120 SST	DN 15	218	195	G1A-DN15	210	249	65	135	328	241	98	-

